



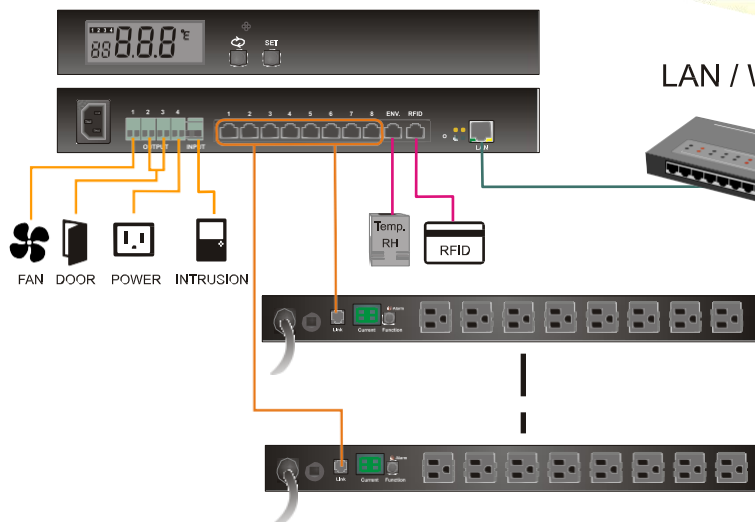
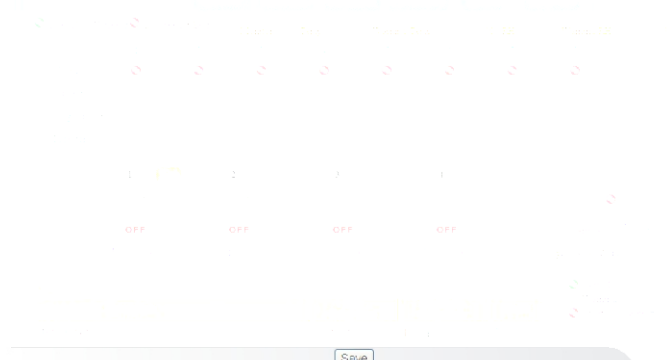
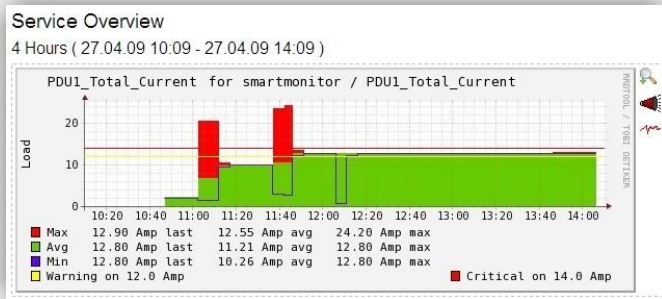
Concorde Solutions
Best Solution Provider

Concorde Cabinet Power Monitor

Australian Company®

- Support firmware upgrade through network.

SmartMonitor



LAN / WAN
HUB

Address: Concorde Solutions, Capital Way, point Cook, Victoria-3030

ABN # 99326032748, Australia.



CONCORDE Cabinet Power Monitor

- PDU Collection Server has an independent LCD panel and two bottoms for viewing equipment current by cycle or individual display. Each PDU Collection Server can be cascaded with 8 PDU at maximum.
- Easy view current and power condition of each outlet through LCD panel.
- Check the temperature and humidity of working circumstance through LCD panel.
- Easy set up overload warning value and turn off the buzzer by two bottoms.
- Buzzer will be triggered when current overload happened and LCD panel will indicate which outlet caused the overload. And the blue and red lights of LCD panel will continuously flash to indicate user that overload had ever happened.
- Support RFID card reader and can detect the movement of rack door to prevent someone open the door to do unauthorized operation.
- Monitor current consumption, temperature and humidity of working circumstance through Internet interface to replace the presence of MIS engineer.
- By Email and SNMP TRAP to do instant warning to respond any abnormal conditions happen to important equipments.
- Circuit breaker will be triggered when power overload happened.
- Record user operation and abnormal current messages to offer more information to user.
- Conform to SNMP agreement. User can use SNMP View to integrate monitor function directly.

Address: Concorde Solutions, Capital Way, point Cook, Victoria-3030

ABN # 99326032748, Australia

Normal Warning Disconnect Break

Monitor: Temp.: NULL°C Warning Temp.: 35 °C RH: NULL% Warning RH: 70 %

	1	2	3	4	5	6	7	8
Sttus	●	●	●	●	●	●	●	●
Current	0.0	0.0	0.0	0.0	0.0	0.0	0.0	0.0
Warning Current	0.0	0.0	0.0	0.0	0.0	0.0	0.0	0.0
Monitor	<input type="checkbox"/>	<input type="checkbox"/>	<input type="checkbox"/>	<input type="checkbox"/>	<input type="checkbox"/>	<input type="checkbox"/>	<input type="checkbox"/>	<input type="checkbox"/>

1	2	3	4
<input type="checkbox"/> OFF	<input type="checkbox"/> OFF	<input type="checkbox"/> OFF	<input type="checkbox"/> OFF
1st Outlet	2nd Outlet	3rd Outlet	4th Outlet

Description	Start Delay Time	Shutdown Delay Time	Preset
1st Outlet	Instant	Instant	Close

Dry Contact Input

●

Overtime: 1 秒

Preset: Always Off

Normal
 Warning
 Overtime Running

- Support API interface. User can develop unique program to process remote power monitor.
- Support Firmware upgrade through network.